

SPARROW



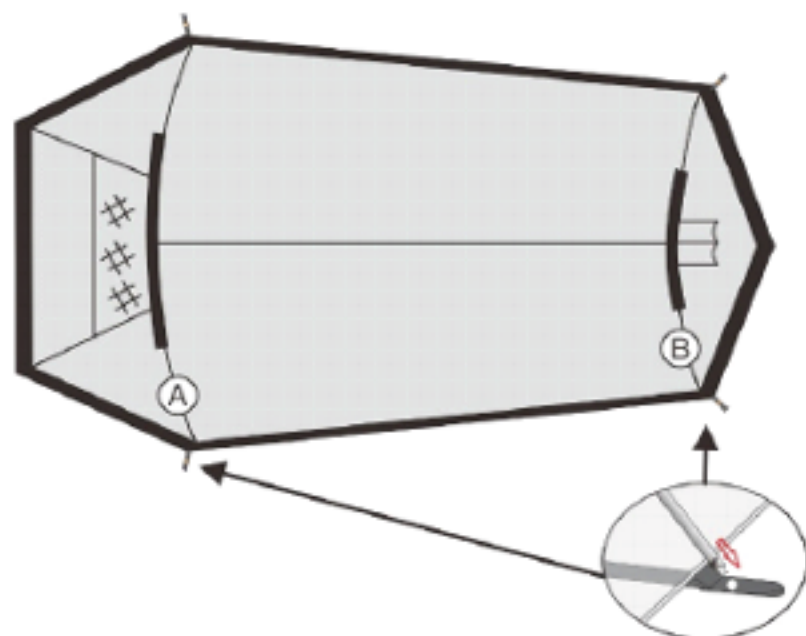
A = 1X 

B = 1X 



SET UP VIDEO

1.



2.



3.

